



## SERIES: CTU25



- 2 X 6-DIGIT LED DISPLAY
- PULSE COUNTING AND BATCH COUNTING
- UP TO 2 PROGRAMMABLE RELAY OUTPUTS
- PROGRAMMABLE DIVIDER AND MULTIPLIER
- ADDITIONAL INPUTS "CLEAR", "GATE" AND "DIRECTION"
- 6 USER-SELECTABLE OPERATING MODES PLUS DOSING MODE
- COUNTER, TOTALIZER AND RPM METER COMBINED (CTU25-1)
- WITH ANALOGUE (mA or V) INPUT FOR INTEGRATION (FLOW APPLICATIONS)

### INTRODUCTION

Indumart CTU25 Series Counter, Totalizer and RPM Meters are offered in two major categories: **1)** as a combined totalizing counter and RPM meter with frequency input, **2)** with analogue (mA or voltage) input which is mostly used as totalizers.

As a totalizing counter and RPM meter (CTU25-1), it counts pulses and allows seven different counting and output relay action modes (including dosing mode) and also has 6 operating modes for RPM meter. As an indicator with analogue input (CTU25-2), it can be used for flow totalization application, food pasteurization procedures, etc. It also has three additional inputs: CLEAR, GATE and DIRECTION.

The CTU25 is equipped with two 6-digit LED displays and may produce a mA output for counting or controlling purposes. It may have 2 relay/contact outputs. Prescale multiplying or dividing coefficients may be programmed by the user and adjustable input filter delay time is to remove dry contact vibrations and resulting in a smooth operation.

### SPECIFICATIONS

#### INPUT

<b>Pulse</b>	Mechanical contacts (NO) or electrical (PNP/NPN)
<b>Analogue</b>	0...20 / 4...20 mA, 0...5 / 0...10 volt
<b>Input CLEAR</b>	Resets counter to 0 (4 functions)
<b>Input GATE</b>	Enables pulse counting
<b>Input DIRECTION</b>	Changes counting direction
<b>Max. Input Frequency</b>	5 kHz
<b>Input Filter</b>	Suppresses contact bouncing
<b>Prescaler Coefficient</b>	1...9999; multiply or divide

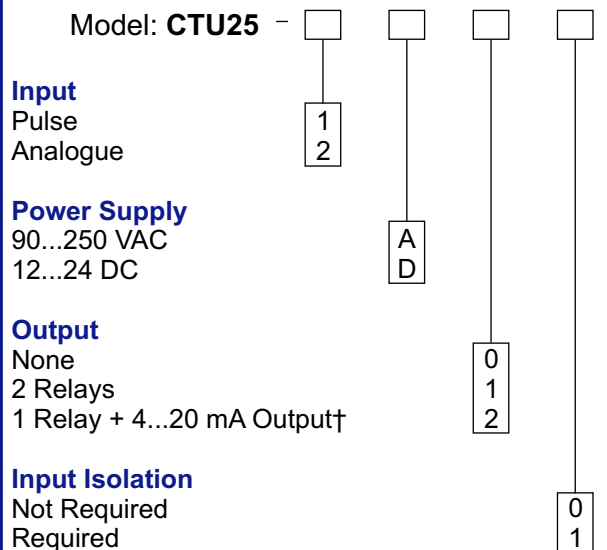
#### OUTPUT

<b>Analogue</b>	4...20 mA (std.); others (enquire)
<b>Output Pulse Duration</b>	Adjustable
<b>Relay</b>	Up to 2 relays; 5A@250V

#### GENERAL

<b>Case Material</b>	Hard Plastic
<b>Power</b>	90...250 VAC or 12...24 VDC
<b>Consumption</b>	6 VA maximum
<b>PV Display</b>	6-digit LED, 9 mm
<b>SP Display</b>	6-digit LED, 9 mm
<b>LED Indications</b>	For output state
<b>Operating Mode</b>	7 including the dosing mode
<b>Counting Mode</b>	Pulse counting, batch counting
<b>Counting Range</b>	0...2147483647
<b>Operating Environ.</b>	-10...65°C; 0...85% RH
<b>Environ. Protection</b>	IP54
<b>Dimensions (mm)</b>	96 x 48 x 107 (W x H x D)
<b>Panel Cut (mm)</b>	90 x 42
<b>Weight</b>	280 grams (0.62 lb)

### ORDER CODE



†For other analogue outputs and different kinds of contacts, please contact Indumart sales representative.

