



## **SERIES: LSD300**

- **SNAP-ACTION SWITCH**
- **SUITABLE FOR LIQUIDS**
- **0.7 TO 1.3 SPECIFIC GRAVITY**
- **HEAVY-DUTY CONSTRUCTION**
- **ALL ST. STEEL WETTED PARTS**
- **HIGH PRESSURE & HIGH TEMPERATURE APPLICATIONS**
- **UNIQUE SWITCHING MECHANISM FOR INCREASED RELIABILITY**



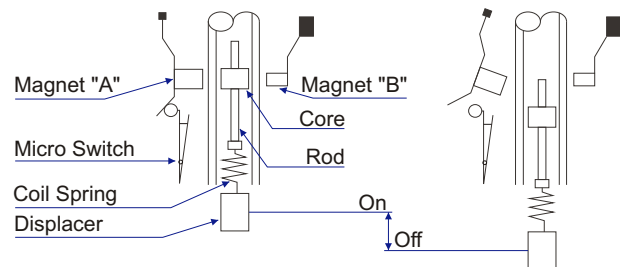
### **INTRODUCTION**

Indumart *LSD300 Series* of Displacement Type Level Switches is designed to control liquid level in a vast variety of applications including high temperature (up to 450°F) and/or high pressure (up to 450 psi) vessels, waste water or clean water tanks, chemical storage tanks, fuel oil or beverage tanks, etc.

Variations of liquid level in the tank would cause vertical movement of the displacer (float). The displacer is connected to a spring via its chain. Changes in spring tension cause vertical movement of the rod and the core, which in turn, results in magnet "A" moving away from the lead pipe, actuating the micro switch without mechanical connection.

Setting of high and low contact points is adjustable, and the measurement height has little or no effect on the cost of the instrument.

A variety of chambers may be used for side connection, if the instrument should be connected to the side of the tank.



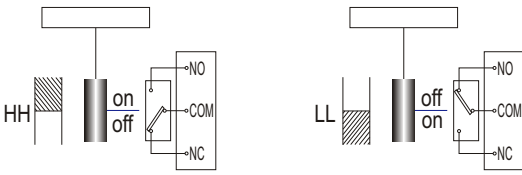
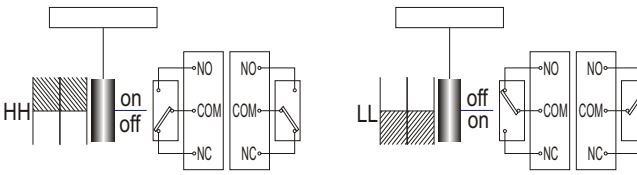
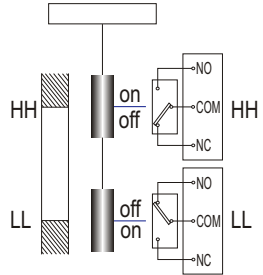
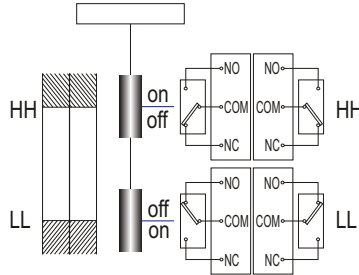
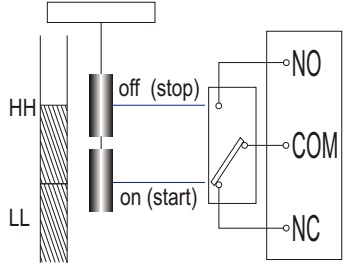
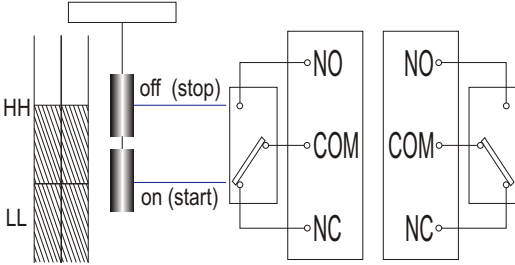
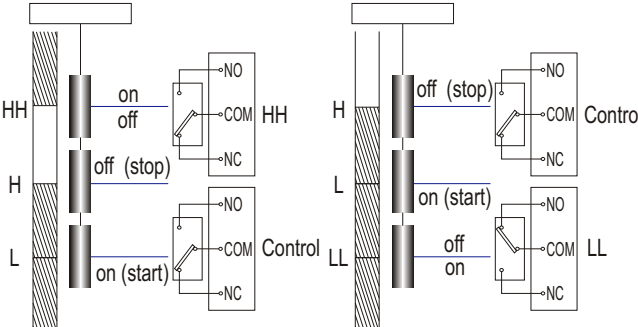
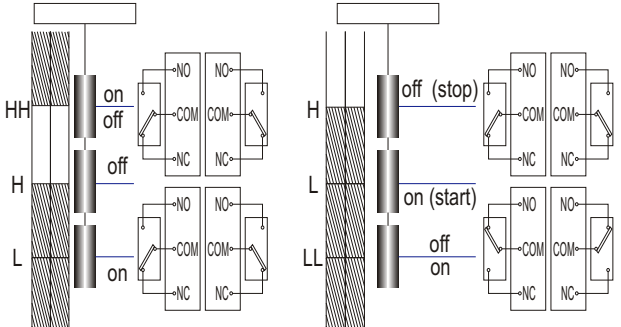
### **SPECIFICATIONS**

<b>Housing Material</b>	Aluminum die cast
<b>Flange</b>	Stainless steel
<b>Displacer/Chain/Spring</b>	Stainless steel
<b>Enclosure Rating</b>	IP65 Weather Proof
<b>Application</b>	Liquid level control
<b>Specific Gravity</b>	0.7 to 1.3
<b>Measuring Length</b>	5 meters maximum
<b>Maximum Pressure</b>	150 psi or 450 psi
<b>Operating Temperature</b>	-40...120 or 230°C (450°F)
<b>Output Switch</b>	1, 2 or 3 DPDT or SPDT; Micro switch
<b>Contact Rating</b>	5 A @ 250 VAC
<b>Cable Gland</b>	½" or ¾" NPT

*For chamber material and length options, please see the CHAMBER SELECTION section.*

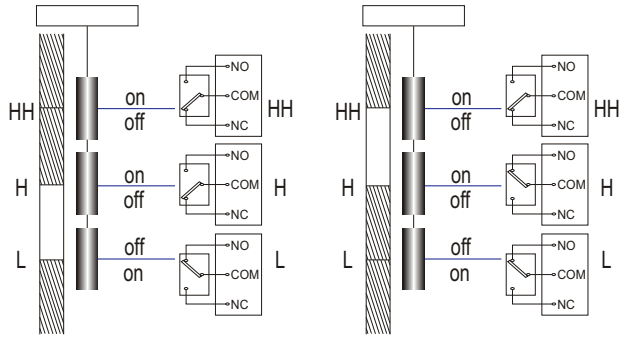
*Specifications may change without prior notice.*

# NUMBER OF CONTACTS AND CONTROL

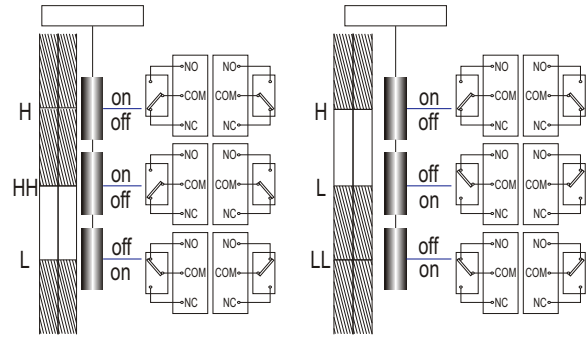
#01 - 1 Point (Alarm - SPDT): HH or LL Alarm	#02 - 1 Point (Alarm - DPDT): HH or LL Alarm
	
#03 - 2 Point (Alarm - SPDT): HH and LL Alarm	#04 - 2 Point (Alarm - DPDT): HH and LL Alarm
	
#05 - 2 Point (Control - SPDT): H and L Control	#06 - 2 Point (Control - DPDT): H and L Control
	
#07 - 3 Point (Control and Alarm - SPDT): Control & HH (LL)	#08 - 3 Point (Control and Alarm - DPDT): Control & HH (LL)
	

# NUMBER OF CONTACTS AND CONTROL

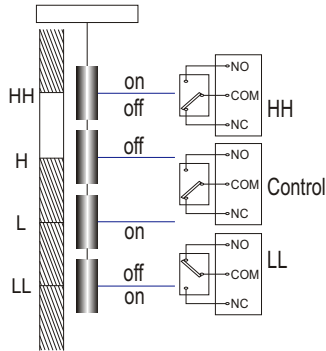
#09 - 3 Point (Alarm - SPDT): HH (LL), H, L Alarm



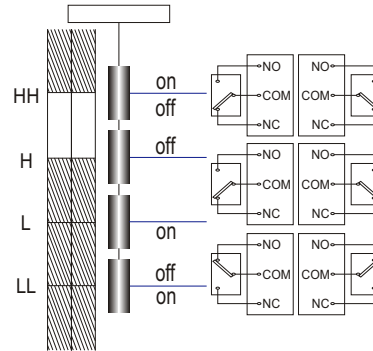
#10 - 3 Point (Alarm - DPDT): HH (LL), H, L Alarm



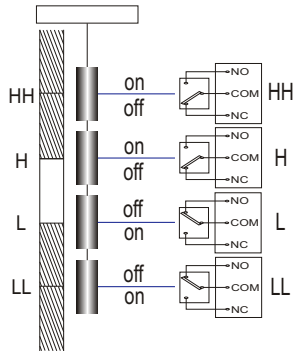
#11 - 4 Point (Alarm & Control - SPDT): HH, LL & Control



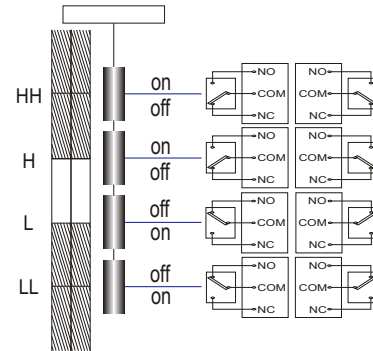
#12 - 4 Point (Alarm & Control - DPDT): HH, LL & Control



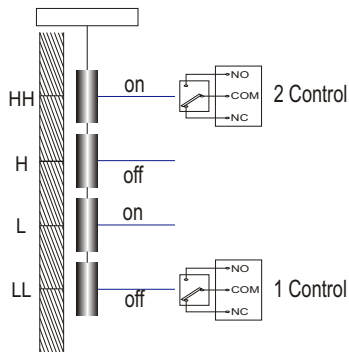
#13 - 4 Point (Alarm - SPDT): HH, H, L, LL Alarm



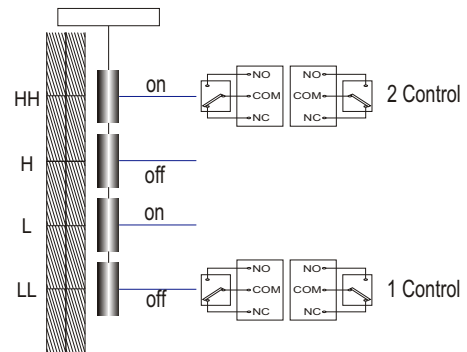
#14 - 4 Point (Alarm - DPDT): HH, H, L, LL Alarm



#15 - 4 Point (2 Control - SPDT): 1 Control & 1 Control

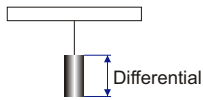


#16 - 4 Point (2 Control - DPDT): 1 Control & 1 Control

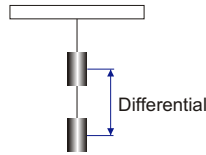


## ALARM & CONTROL

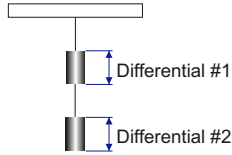
One Switch Pump Control



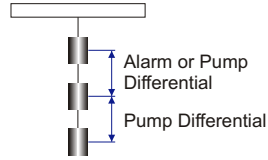
One Switch Alarm Differential



Two Switches, 2 Alarms



Two Switches, Alarms & Control



## ORDER CODES

LSD300-

### SWITCH TYPE

- 1 point Alarm 01
- 1 point Alarm (DPDT) 02
- 2 point Alarm 03
- 2 point Alarm (DPDT) 04
- 2 point Control 05
- 2 point Control (DPDT) 06
- 3 point Alarm, Control 07
- 3 point Alarm, Control (DPDT) 08
- 3 point (HH/H/L/LL Alarm - SPDT) 09
- 3 point (HH/H/L/LL Alarm - DPDT) 10
- 4 point (H/L Alarm, Control - SPDT) 11
- 4 point (H/L Alarm, Control - DPDT) 12
- 4 point (HH/H/L/LL Alarm - SPDT) 13
- 4 point (HH/H/L/LL Alarm - DPDT) 14
- 4 point (2 x control - SPDT) 15
- 4 point (2 x control - DPDT) 16
- Other XX

### WETTED PARTS

- SS 304 1
- SS 316 2

### PROCESS CONNECTION

- 1" NPT Socket 1
- ANSI 4" - 150# RF Flange 4
- ANSI 5" - 150# RF Flange 5
- Other (please specify) X

### CONDUIT CONNECTION

- 1/2" NPT 1
- 3/4" NPT 2

### OPERATING PRESS. & TEMP.

- 40...+120°C & 150 psi 1
- 40...+230°C & 450 psi (1S, 2S - SPDT) 2
- 40...+230°C & 450 psi (3S - SPDT) 3
- 40...+230°C & 450 psi (3S - DPDT) 4

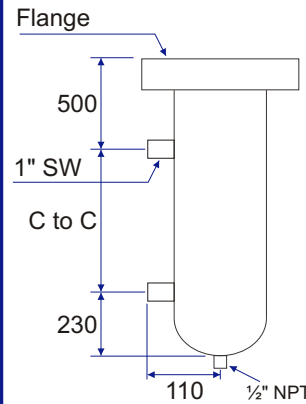
### INTERNAL LENGTH

(Please specify)

## CHAMBER DIMENSIONS (mm)

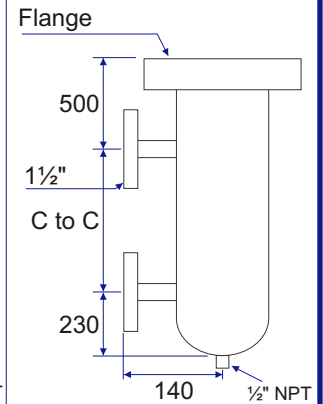
Side - Side (S. W.)

Type: 1



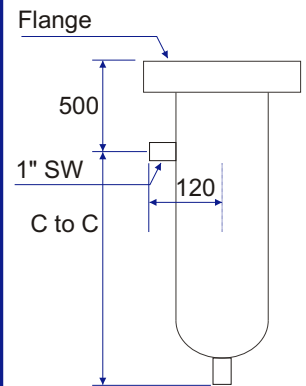
Side - Side (Flange)

Type: 2



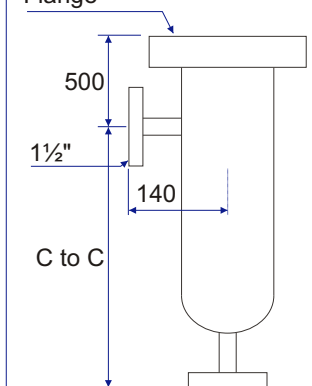
Side - Bottom (S. W.)

Type: 3



Side - Bottom (Flange)

Type: 4



## ORDER CODES (CHAMBER)

CH-

### TYPE OF CHAMBER

- Side - Side (S. W.) 1
- Side - Side (flange) 2
- Side - Bottom (S. W.) 3
- Side - Bottom (flange) 4

### CHAMBER MATERIAL

- Carbon Steel 1
- SS 304 2
- SS 316 3
- Other X

### C to C LENGTH

(please specify)

### CHAMBER SCH # (PRESSURE RATING)

(Please specify)



**INDUMART** INC.

1-15 W. Pearce St., Richmond Hill, Ont. L4B 1H6, Canada  
Phone: (905) 707-9998 Fax: (905) 707-8484 E-mail: Sales@Indumart.com