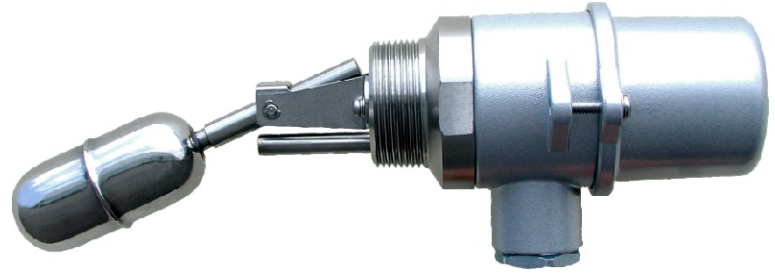


SERIES: LSF100

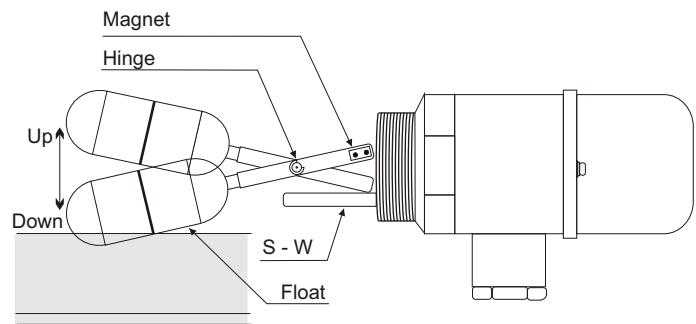


- EASY INSTALLATION
- CAN BE ACTIVATED AT THE BOUNDARY OF TWO LIQUIDS

DESCRIPTION

Indumart Series LSF100 Magnetic Float Type Level Switches can be used on the sidewall of tanks for level control applications. The operating principle of the LSF100 Series is, when the rising liquid level tilts the float upward, the magnet attached to the end of the body actuates the reed switch.

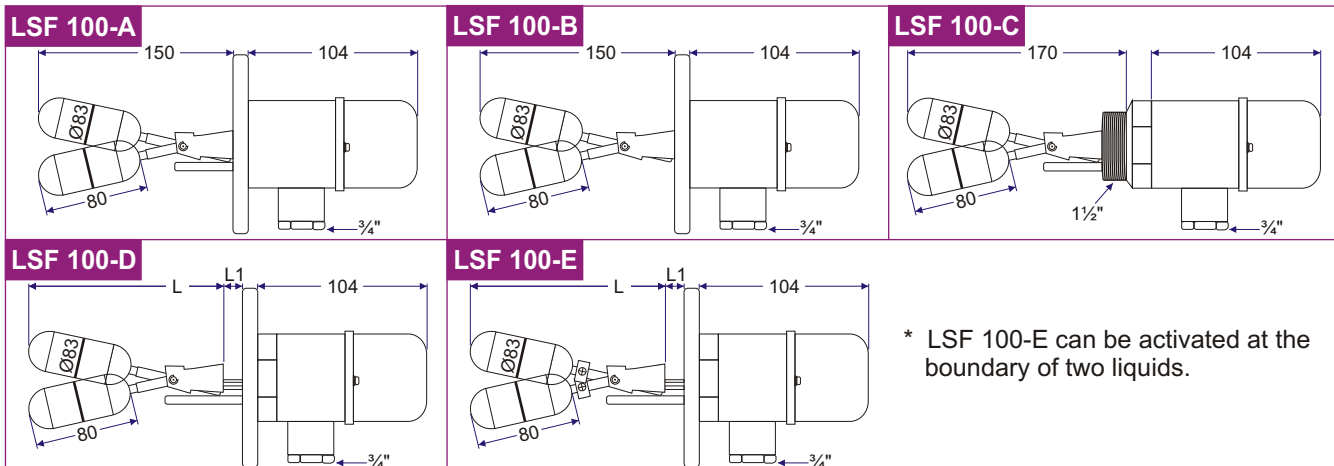
The LSF100 Series is mostly used in hot and cold water systems, hydraulic equipments, lubricating oil tanks and coolant tanks.



WHAT TO AVOID

- Avoid dropping pounding or striking the level switch.
- Do not install the switches near a drain outlet or a feed water inlet to avoid malfunction due to chattering.
- Installation near a strong magnetic field should be avoided.
- The level switch should not be used for liquids containing iron particles or other strongly magnetic materials. The instrument must be cleaned frequently, if used in high viscosity liquids or those containing floating materials.

DIMENSIONS (mm)



SPECIFICATIONS

Type	LSF100-A	LSF100-B	LSF100-C	LSF100-D	LSF100-E
Switch Rating	50VA, 0.5A @ 300 VAC max. (Reed Switch)				
Operating Temp.	-10...+120°C				-10...+80°C
Operating Press.	75 psi (5 bar)		360 psi (25 bar)	75 psi (5 bar)	
Switch	(Reed Switch)				
Output	1 SPST	1 SPDT	1 SPST		
Specific Gravity	0.7 minimum				0.72 ~ 1.0
Actuation Angle	-9°...+23°	-23°...+23°		-9°...+23°	
Mounting (Std.)	150# ANSI 1½" Flange		1½" NPT	150# ANSI 1½" Flange	
Sensing Material	304 St. Steel / 316 St. Steel				304 SS / NBR Float
Housing Material	Epoxy Painted Aluminum Diecast				

ORDER CODES

MODEL: LSF100 —

SWITCH TYPE

Type A = 1 SPST (STD.)
 Type B = 1 SPDT (STD.)
 Type C = 1 SPST (STD.)
 Type D = 1 SPST, EXT. TYPE
 Type E = 1 SPST BOUNDARY

WETTED PARTS MATERIAL

SS 304 (standard)
 SS 316

MEASURING PART LENGTH

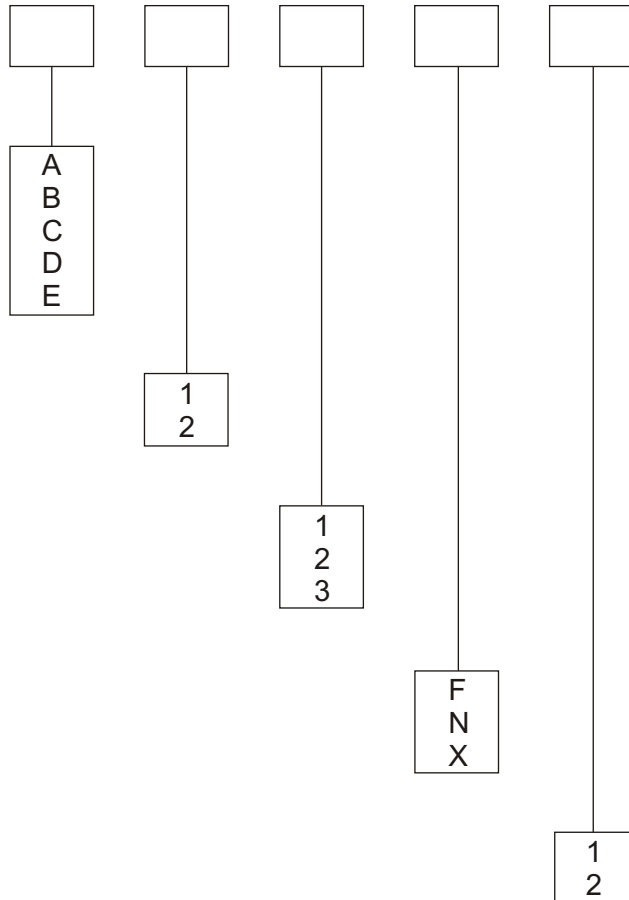
150 mm : Type A, B (standard)
 170 mm : Type C (standard)
 151 - 300 mm (Max.) : Type D, E

MOUNTING CONNECTION

150# ANSI 1 ½" Flange (Types A, B, D & E)
 NPT 1 ½" (Type C only)
 Other Connections (specify separately)

CONDUIT CONNECTION

½" NPT (Type C only)
 ¾" NPT



- Please specify the switch action (make or break contact) for high level at the time of ordering.



INDUMART INC.

1-15 W. Pearce St., Richmond Hill, Ont. L4B 1H6, Canada
 Phone: (905) 707-9998 Fax: (905) 707-8484 E-mail: Sales@Indumart.com