



SERIES: 95

- TEMPERATURE OR PRESSURE INPUT (VACUUM, GAUGE & COMPOUND)
- 3-15 PSI OR 0.2-1.0 BAR OUTPUT
- LOW AIR CONSUMPTION
- PANEL OR PIPE MOUNTING
- IP-54 ENVIRONMENTAL PROTECTION



INTRODUCTION

The 95 Series Pneumatic Indicating Transmitter provides accurate and reproducible 3-15 psi (0.2 to 1 bar) pneumatic output proportional to its temperature or pressure input. The sensing element for pressure is a heavy duty spiral tube, and for temperature is a long-lasting filled thermal system.

The transmitter is supplied in standard ranges with zero and span adjustments. The actual value of the process variable is indicated by an index moving over a graduated scale, and the output value is indicated by a pressure gauge visible on the face of the instrument.

The 95 Series transmitter is housed in a metallic case that can be panel, surface or pipe mounted. A gasketed door protects internal components from harsh industrial environments and offers IP54 protection. Through a sturdy acrylic window, the operator may see the process value on a 6" scale.

Thermowells should be used to protect the bulbs from corrosive atmospheres, and to simplify removal and replacement of the temperature sensing elements. A full range of threaded and flanged thermowells are available made of stainless steel, etc. Moreover, diaphragm seals for various applications may also be ordered along with the pressure transmitters.

SPECIFICATIONS

General

Accuracy	±1% f.s.
Case	Passivated & Painted Aluminum
Cover Material	ABS
Protection Class	IP-54
Scale	150 mm (6")
Output	3...15 psi (0.2...1.0 bar)
Air Supply	20 psi (1.4 bar)
Air Consumption	270 l/s (0.16 scfm)
Air Connection	1/4" female
Mounting	Surface or pipe
Ambient Temp.	-20...+60 °C
Weight	Pressure ~ 4 kg (8.8 lb) Temperature ~ 4.8 kg (10.6 lb)

Temperature System

Measuring Element	Gas filled system with ambient temperature compensation inside the case
Capillary	316 SS with flexible armour; 3 or 6 mm
Bulb & Stem	Stainless steel, 12 mm bulb; Adjustable with in 350 mm and 130 mm immersion
Fittings	1/2" or 3/4" NPT male
Operating Press.	230 psi (16 bar) maximum

Pressure System

Measuring Element	Spiral tube
Wetted Parts Material	316 stainless steel
Connection	1/4" NPTf for up to 1500 psi (100 bar); 1/2 gas 228/1 m for higher pressure
Process Temperature	-20...+120 °C

STANDARD TEMPERATURE RANGES (°C)

-30...+70	0...60	20...120
-20...+40	0...100	40...140
-20...+140	0...160	40...200
	0...200	50...250
	0...300	100...400

STANDARD PRESSURE RANGES

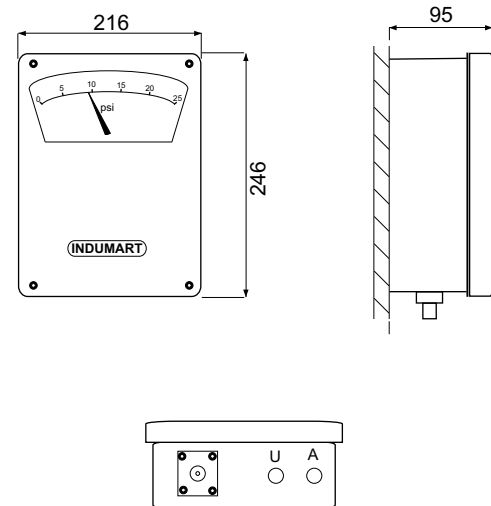
-30...0 inHg	-1__0 bar
-30 in.Hg...0...6 mH2O	-1__0__0.6 bar
-15...0...20 psi	-1__0__1.5 bar
-15...0...45 psi	-1__0__3 bar
-15...0...70 psi	-1__0__5 bar
0...15 psi	0__1 bar
0...25 psi	0__1.6 bar
0...35 psi	0__2.5 bar
0...60 psi	0__4 bar
0...90 psi	0__6 bar
0...150 psi	0__10 bar
0...250 psi	0__16 bar
0...350 psi	0__25 bar
0...600 psi	0__40 bar
0...900 psi	0__60 bar
0...1500 psi	0__100 bar
0...2500 psi	0__160 bar
0...3500 psi	0__250 bar
0...6000 psi	0__400 bar
0...9000 psi	0__600 bar

Graduation in kg/cm² is also available.
 Double scale graduation is available.
 Calibration in other units of pressure may be available.

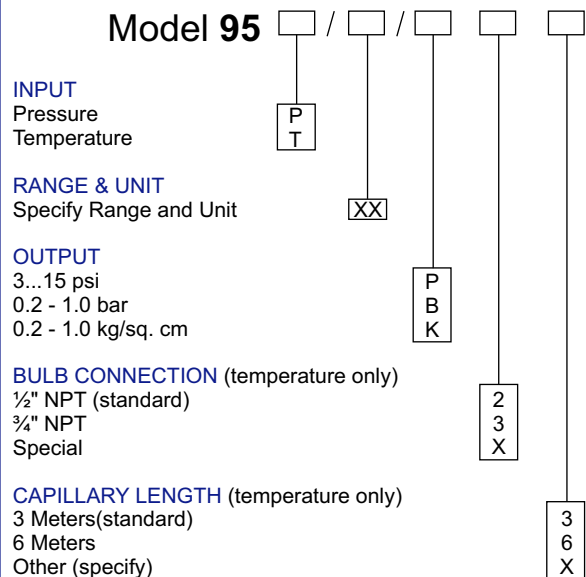
Over-pressure Limits:

Up to 150 psi (10 bar) pressure transmitters: 100%
 From 250 psi (16 bar) to 600 psi (40 bar): 50%
 From 900 psi (60 bar) to 2500 psi (160 bar): 30%
 From 3500 psi (250 bar) to 9000 psi (600 bar): 15%

DIMENSIONS AND FIXING (mm)



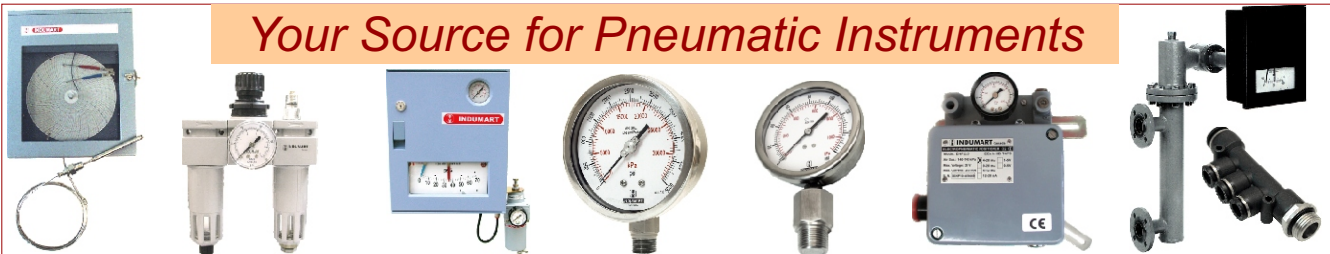
ORDER CODE



Sample Order:
Pressure Transmitter: 95P/0-10bar/P
Temperature Transmitter: 95T/0-100C/P23

Specifications may change without prior notice.

Your Source for Pneumatic Instruments



INDUMART INC.

1-15 W. Pearce St., Richmond Hill, Ont. L4B 1H6, Canada
 Phone: (905) 707-9998 Fax: (905) 707-8484 E-mail: Sales@Indumart.com