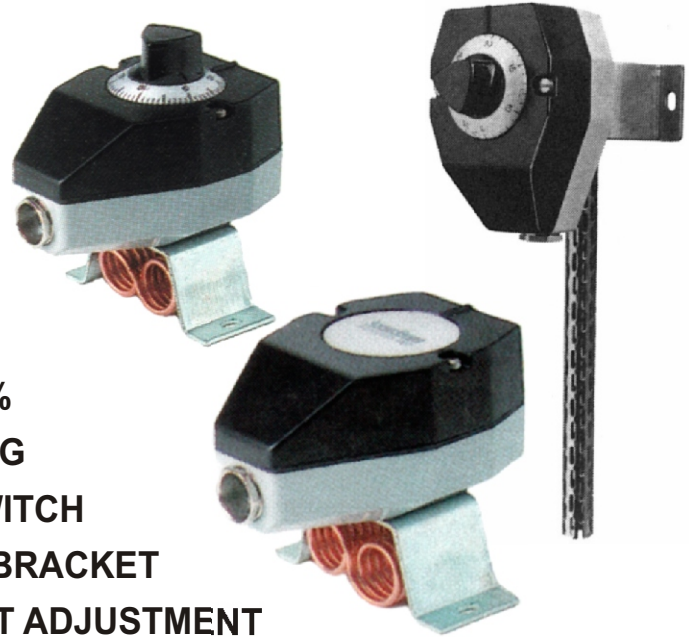


TEMPERATURE CONTROLLER FOR SURFACE MOUNTING

SERIES: TSA210

- RUGGED HOUSING
- COMPACT DESIGN
- SHORT RESPONSE TIME
- DUST AND WATER PROOF (IP65)
- RANGES COVERING -30 TO +60°C
- REPEATABILITY BETTER THAN 0.5%
- BRACKET FOR SURFACE MOUNTING
- TEMPERATURE COMPENSATED SWITCH
- ST. STEEL OR COPPER SENSOR & BRACKET
- INTERNAL OR EXTERNAL SETPOINT ADJUSTMENT
- GOLD PLATED CONTACTS FOR INTRINSICALLY SAFE CIRCUITS



APPLICATIONS:

- Shipbuilding
- Diesel Engines
- Heating & Air Conditioning
- Hydraulic / Pneumatic

INTRODUCTION

Indumart TSA210 Series Industrial Ambient Temperature Switches meet stringent demands and can be used in critical industrial applications where particular importance is attached to measuring reproducibility, long term stability and protection against water and dust penetration.

Housed in a die cast aluminum case, the Series TSA210 ON/OFF Temperature Controllers are supplied with either stainless steel or copper sensors. The adjustment nub can be external for ease of frequent setpoint changes, or be placed inside the case to prevent setpoint tampering.

The standard switching differential for TSA210 Series is (0.7°C), models with small switching differential (0.3°C) and large switching differential (4.0°C), and also with adjustable Switching differential (0.7 to 6°C) are available. Optionally, the standard model can be supplied with gold-plated contacts.

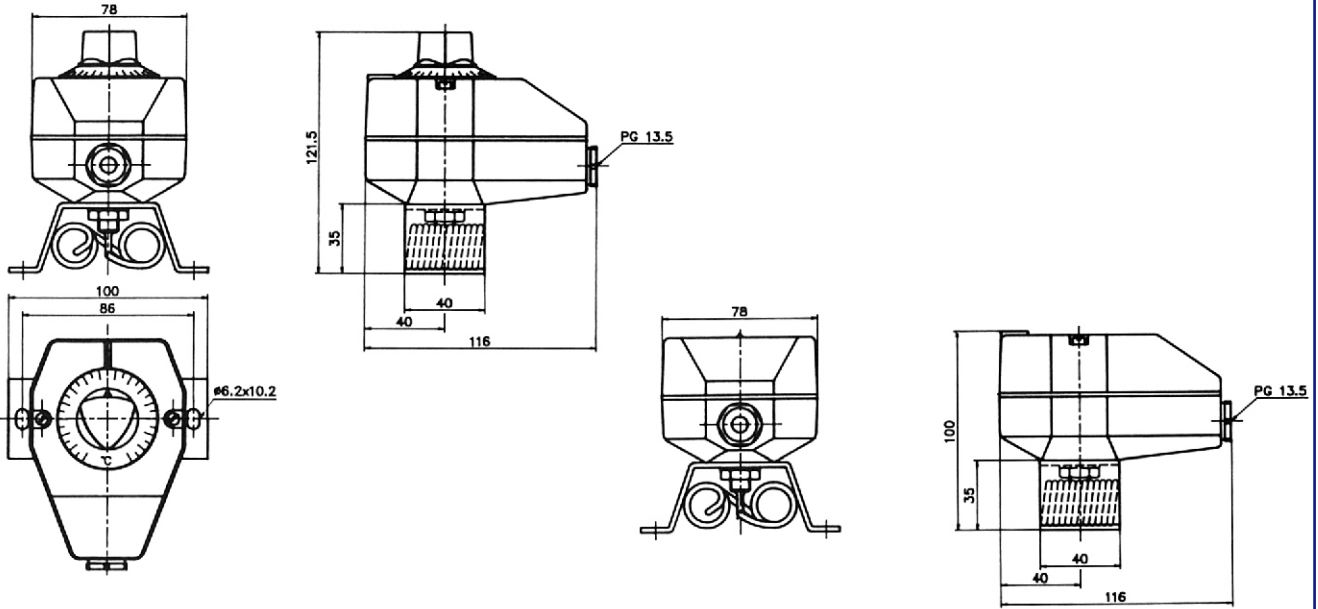
Where the sensor must be extended radially, the model TSA210-3 equipped with a protection tube for the sensor is recommended.

SPECIFICATIONS

Repeatability	<±0.5% of full scale
Scale Accuracy	±2% of full scale
Case	Aluminum die cast, epoxy coated
Mounting	Bracket with or without protection tube
Bracket & Tube	Steel nickel-plated
Environ. Protection	IP-65
Microswitch	Temperature compensated with Bimetal switch lever
Dielectric Strength	2 kV terminal ground
Insulation Resistance	>1MΩ
Action	Type 2.B (EN60730-1 / 60730-2-9)
Adjustments	Internal or external of the case
Weight	Approximately 950g (2.1 lb)

Type	Switching Differential	Electrical Rating		Code	Range (°C)	Ambient (°C)
		AC	DC			
A	0.7°C	400V-15A	220V-0.2A	1	-30...+30	-30...+40
G	0.7 to 6°C		110V-0.4A	24V-6A	2	-20...+40
B	0.3°C	250V-10A	220V-0.3A	3	+5...+35	-30...+70
			110V-0.5A	4	0...+60	-30...+70
C	4.0°C	400V-20A	220V-0.6A	Connection 		
D	0.7°C	24V-0.01A	24V-0.01A			
		12V-1.0A	12V-1.0A			
		5V-2.0A	5V-2.0A			

DIMENSIONS (mm)



ORDER CODE

INDUSTRIAL AMBIENT TEMPERATURE SWITCH

Model: TSA210 -

TYPE

- External Adjustment
- Internal Adjustment
- External Adjustment with Protection Tube
- Internal Adjustment with Internal Tube

- 1
- 2
- 3
- 4

RANGE

- 30...+30°C
- 20...+40°C
- +5...+35°C
- 0...+60°C

- 1
- 2
- 3
- 4

SWITCHING DIFFERENTIAL & ELECTRICAL RATING

(See the Table)

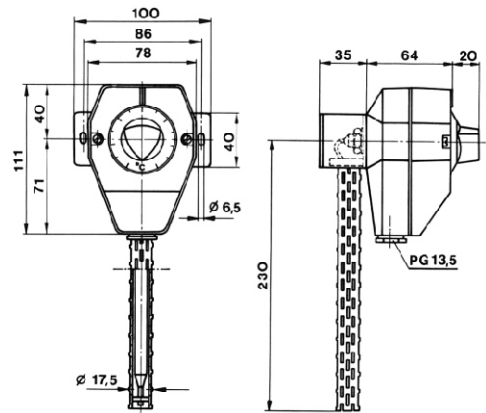
- Type "A"
- Type "B"
- Type "C"
- Type "D"
- Type "G"

- A
- B
- C
- D
- G

SENSOR MATERIAL

- 316L St. Steel
- Copper
- Nickel-plated Copper
- Chrome-plated Copper

- 1
- 2
- 3
- 4



Your Area Representative



INDUMART INC.

1-15 W. Pearce St., Richmond Hill, Ont. L4B 1H6, Canada
 Phone: (905) 707-9998 Fax: (905) 707-8484 E-mail: Sales@Indumart.com